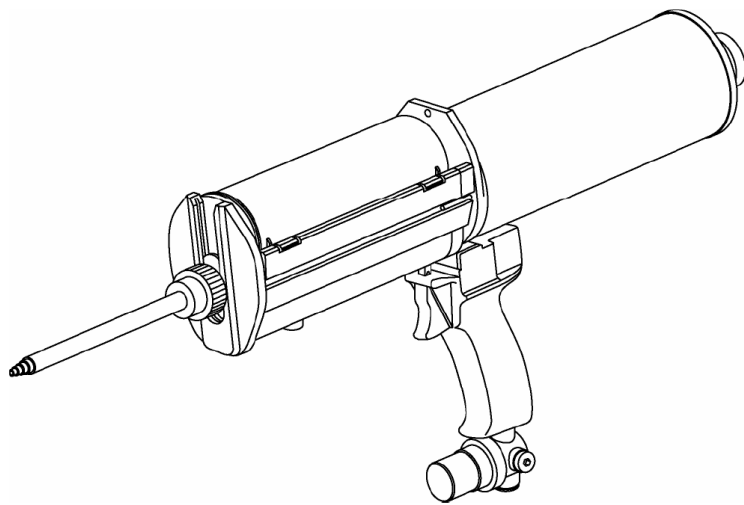
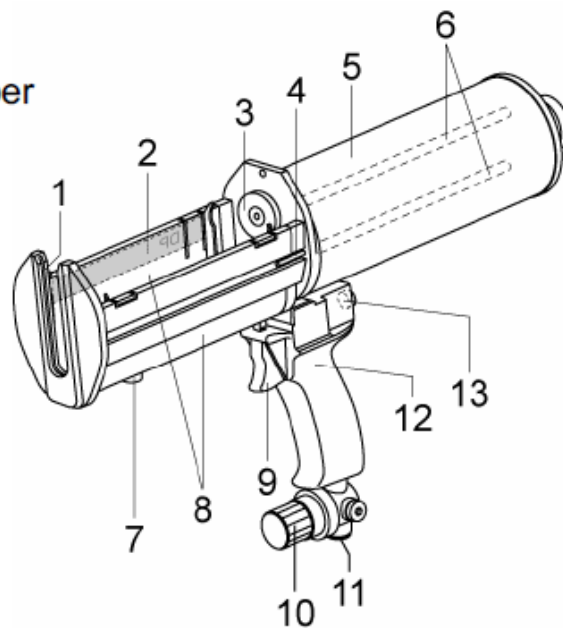


Dispenser for 2-component adhesives



Parts list for dispenser:

1. Cartridge guide
2. Type designation and serial number
3. Plunger
4. Dispense volume indicator
5. Pneumatic drive unit
6. Piston rods
7. Cartridge ejector button
8. Cartridge sleeve
9. Trigger
10. Pressure limiting valve
11. Compressed air supply
12. Handle
13. Red button (retract piston rod)



Technical data:

Operating pressure:	max. 6 bar (max. 87 psi)	
Compressed air supply:	max. 8 bar (max. 120 psi)	
Air requirements:	ISO 8573-1 2.4.2	
Pressure adjustment:	Infinitely variable	
Sound level:	83 dBA	
Weight:	200-70	1.6 kg
	400-85	2.2 kg
	400-100	2.4 kg